

PICK AND PLACE CAP POSITION

NOTES:

- MATERIAL:
 - 1-1 HOUSING: VECTRA E130i GF30% ,UL94V-0,COLOR IS BLACK
 - 1-2 POWER CONTACT: HIGH PERFORMANCE COPPER ALLOY C19210
 - 1-3 SIGNAL CONTACT: COPPER ALLOY C5210
 - PLATING : 50u" MIN NICKEL UNDERPLATING OVER ALL
- REFLOW SOLDER CAPABLE TO 260°C PER ACES SPEC.
- SPEC. PLS. REFER TO PS-52950-XXXXXX-XXX
- PACKAGE PLS. REFER TO 52950-XXXXXX-XXX-PCK
- PART NUMBER

52953-XXX X X-XXX

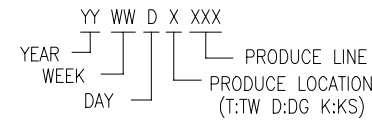
NO.	DIRECTION	PCB RETENTION	CUSTOMIZED OR SPECIAL
001	VERTICAL	BOARD LOCK	NONE

SIGNAL No.
074=74PINS

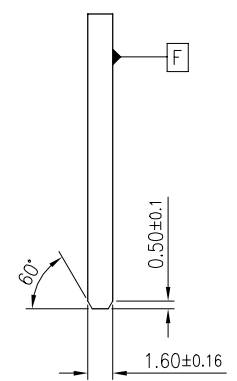
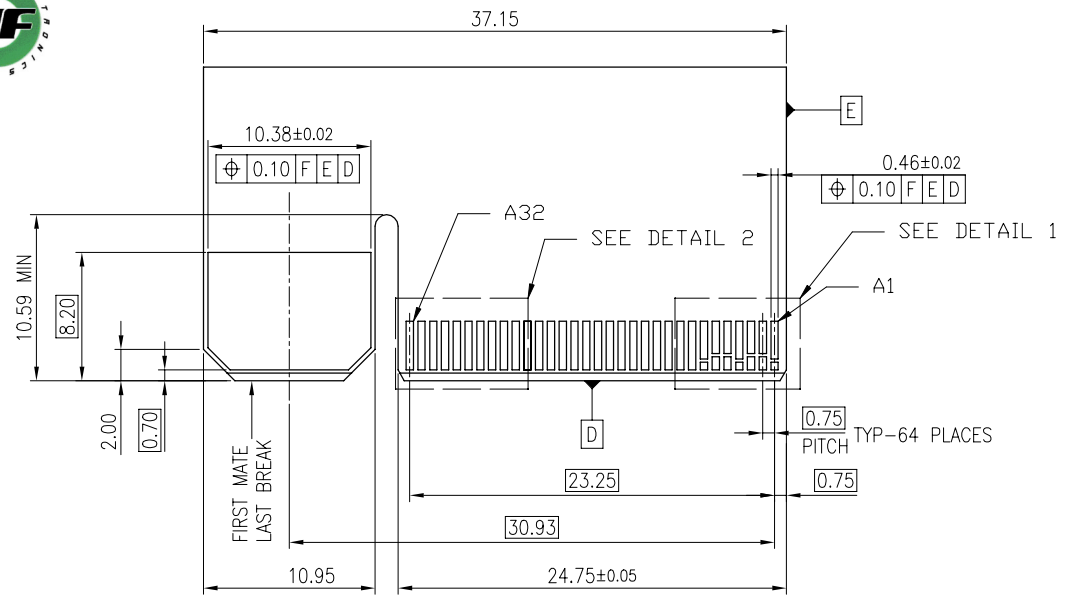
PACKING
5:TUBE WITH MYLAR

PLATING
K:30u" GOLD ON ALL TERMINAL CONTACT FOR LEAD FREE

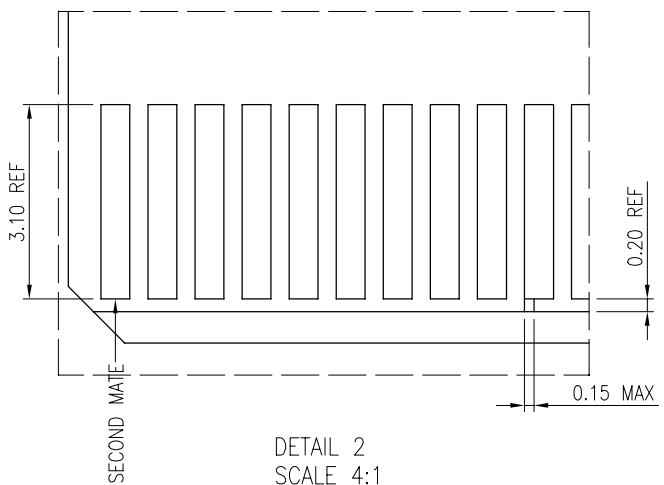
6. DATE CODE:



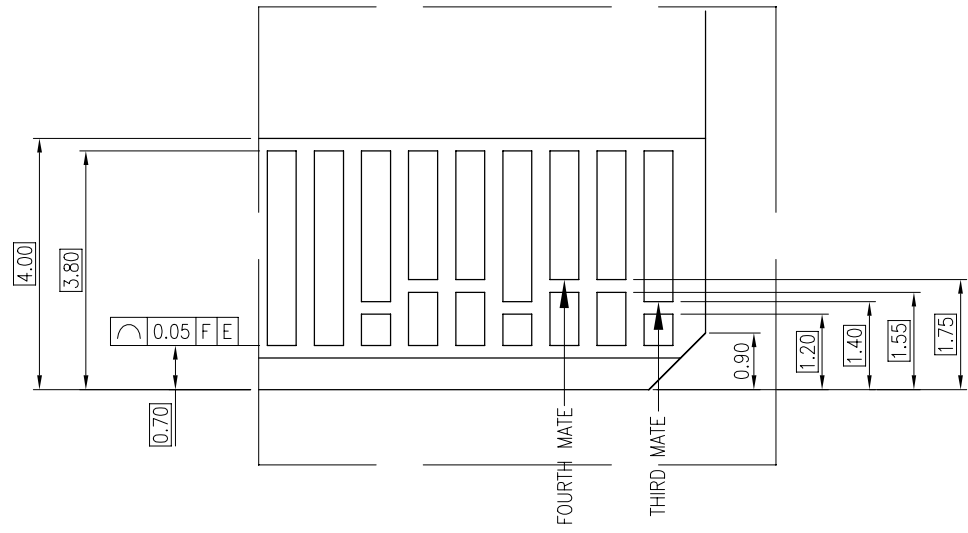
QUALITY SYMBOLS MAJOR Ⓜ CRITICAL Ⓢ		DRAWN BY Huang, Jing Yu DATE 21/02/05			
GENERAL TOLERANCES (UNLESS SPECIFIED) X ±0.5 .X ±0.25 .XX ±0.15 .XXX ±0.1 ANGLES ±2°		CHECKED BY Hsu, Yi Lun DATE 21/02/05			TITLE SAS + POWER CONN. S/T TYPE N/A
		APPROVED BY Wang, Chun Sheng DATE 21/02/05			
UNITS mm		SIZE A4	RFQ NO.		
SCALE 1:1	SHEET NO. 1 OF 3	REV B	DWG NO. 52953-XXXXX-XXX		



OVER CONTACT PADS



DETAIL 2
SCALE 4:1



DETAIL 1
SCALE 4:1

RECOMMENDED TIE BAR SIZE

QUALITY SYMBOLS MAJOR Ⓢ CRITICAL Ⓢ GENERAL TOLERANCES (UNLESS SPECIFIED) X. ±0.5 .X ±0.25 .XX ±0.15 .XXX ±0.1 ANGLES ±2°	DRAWN BY Huang, Jing Yu	DATE 21/02/05		
	CHECKED BY Hsu, Yi Lun	DATE 21/02/05		
	APPROVED BY Wang, Chun Sheng	DATE 21/02/05	TITLE SAS + POWER CONN. S/T TYPE	
	UNITS mm		SIZE A4	RFQ NO. N/A
SCALE 1:1	SHEET NO. 2 OF 3	REV B	DWG NO. 52953-XXXX-XXX	



A B C D E F G H I J

1

2

3

4

5

6

7

1

2

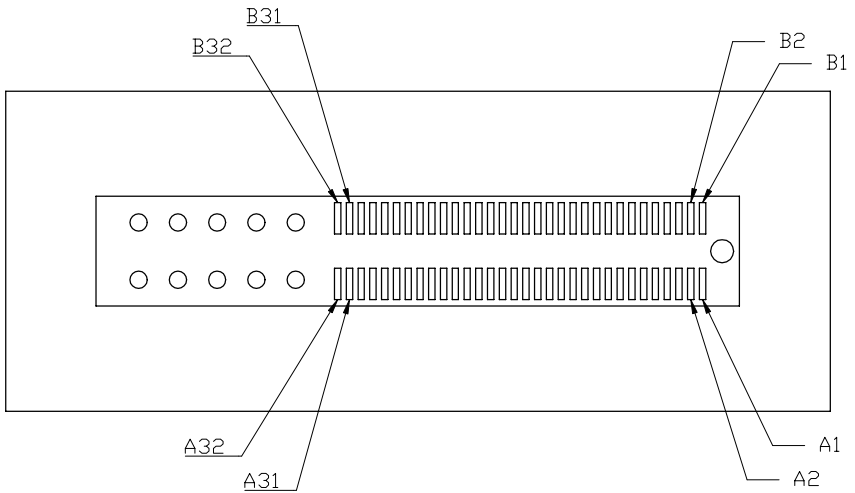
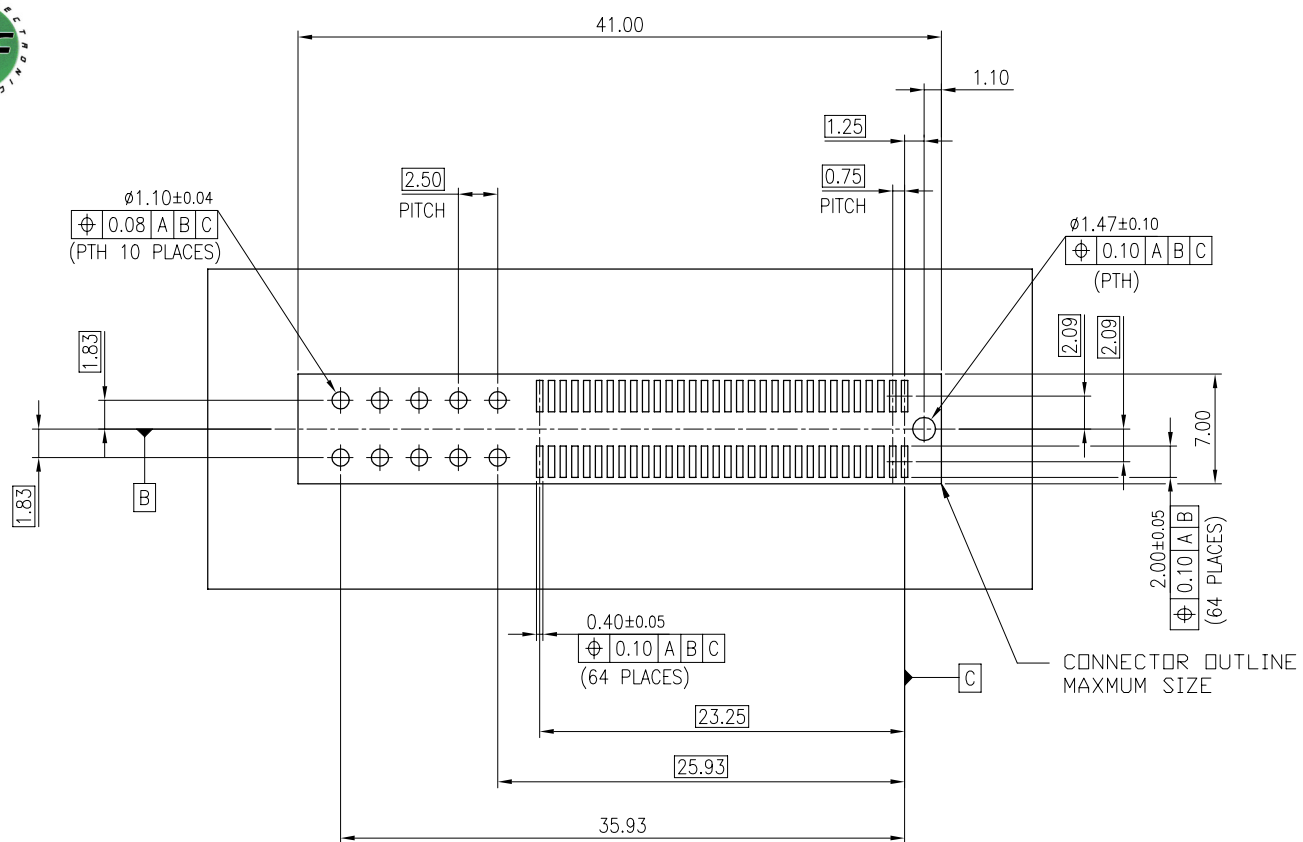
3

4

5

6

7



RECOMMENDED PCB LAYOUT

QUALITY SYMBOLS MAJOR Ⓢ CRITICAL Ⓢ GENERAL TOLERANCES (UNLESS SPECIFIED) X ±0.5 .X ±0.25 .XX ±0.15 .XXX ±0.1 ANGLES ±2°	DRAWN BY Huang, Jing Yu	DATE 21/02/05		
	CHECKED BY Hsu, Yi Lun	DATE 21/02/05		
	APPROVED BY Wang, Chun Sheng	DATE 21/02/05	TITLE SAS + POWER CONN. S/T TYPE	
	UNITS mm		SIZE A4	RFQ NO. N/A
	SCALE 1 : 1	SHEET NO. 3 OF 3	REV B	DWG NO. 52953-XXXXX-XXX